

Batant Solar Concentrator Construction Guide v1.1

Drawings

Eerik Wissenz and Eva Cantavenera

Batant design

Baptiste Lavigne, Eerik Wissenz, Nathan Guerin

Based on the Vesta Solar Concentrator

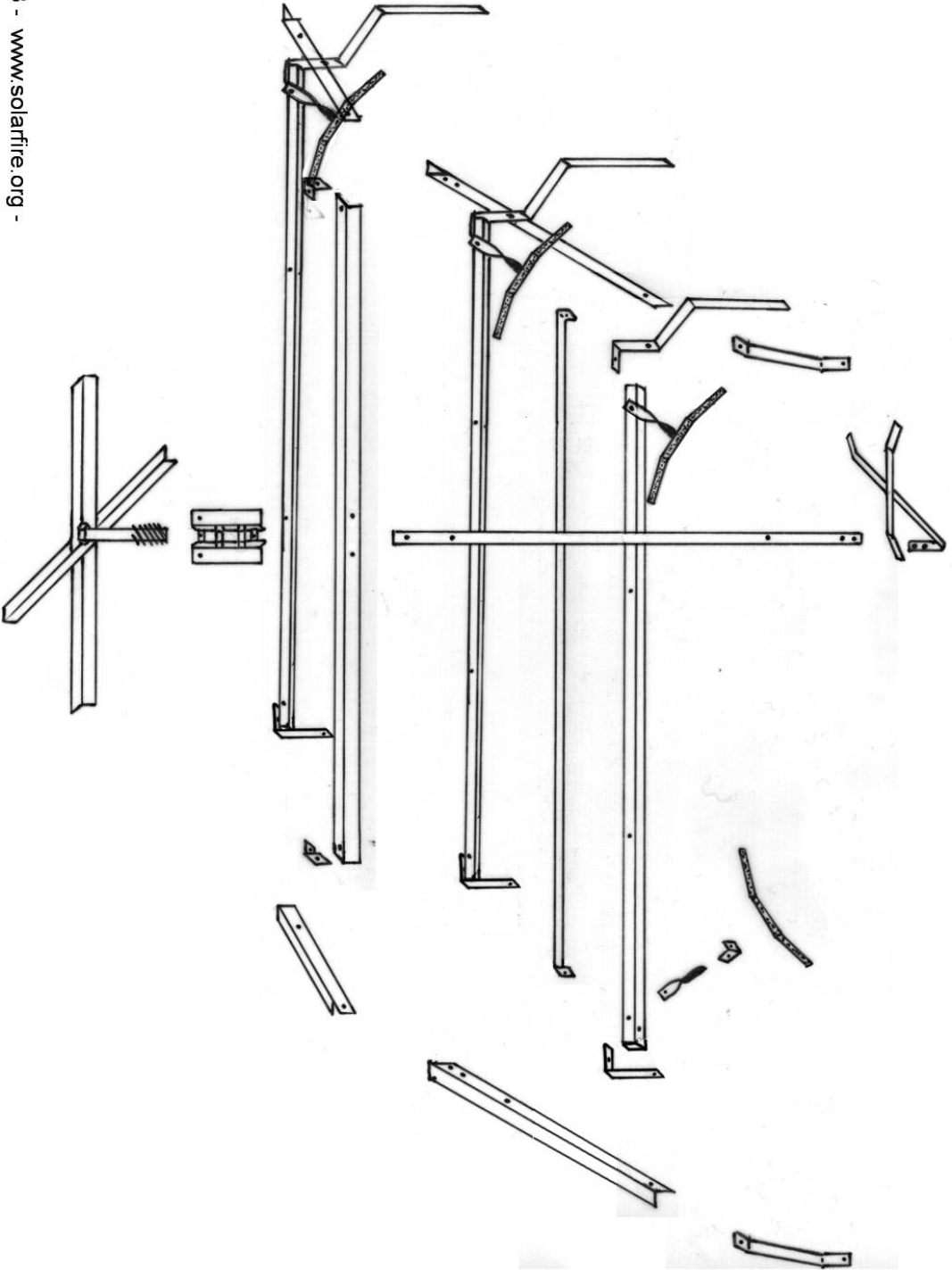
Fraser Symington and Michael Sacco

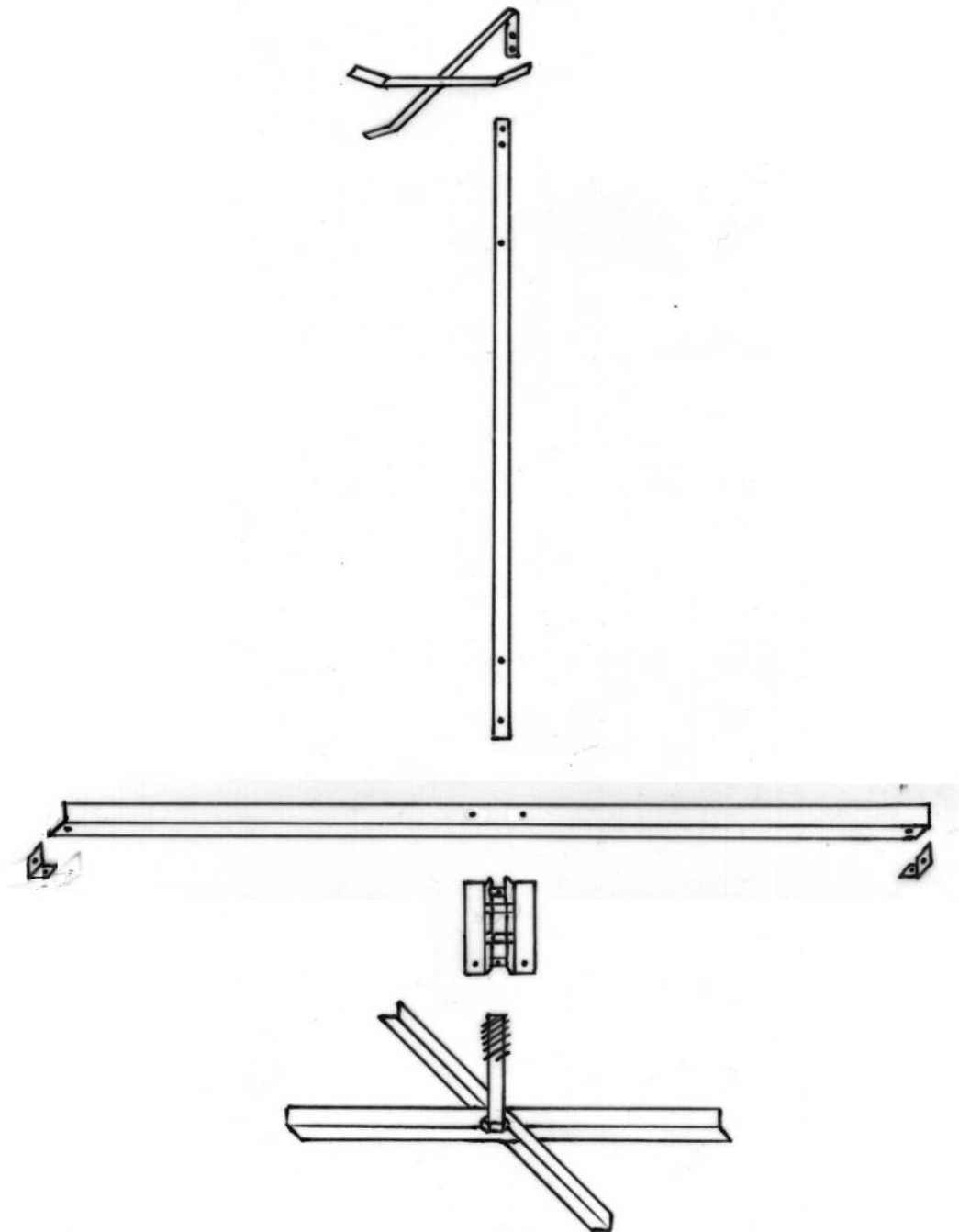
Copyright 2008

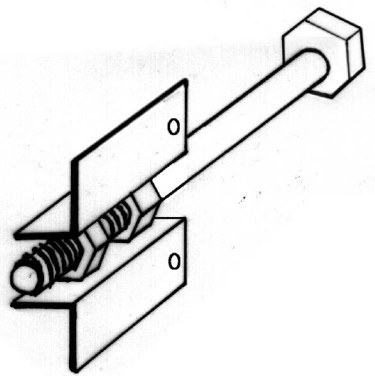
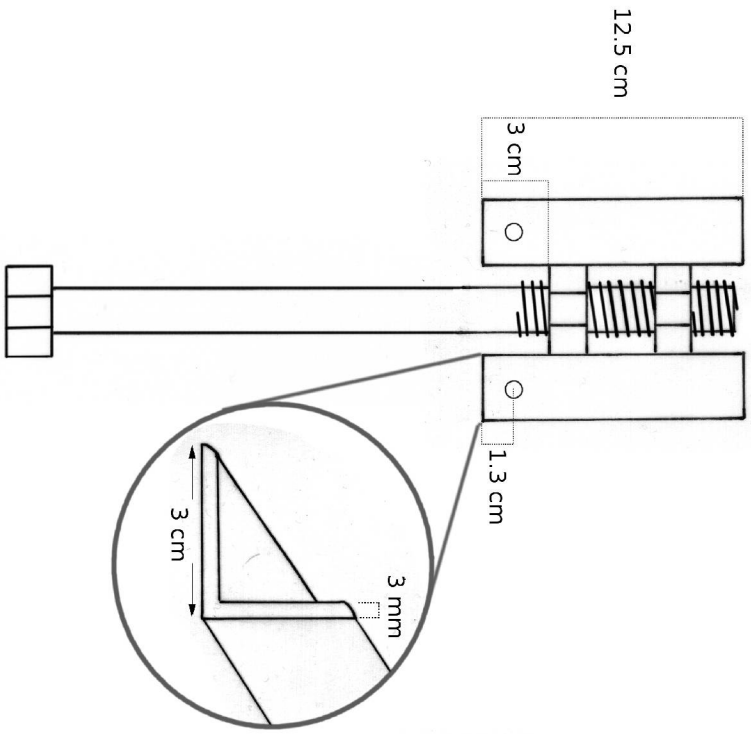
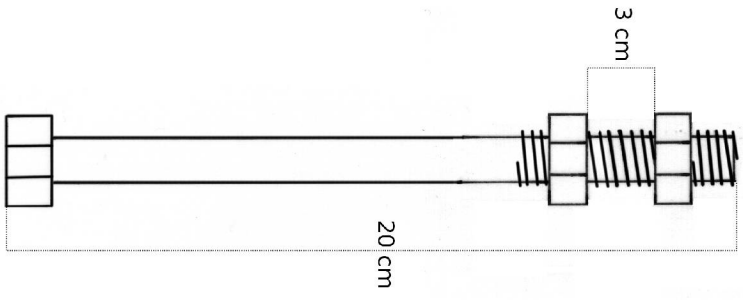
The drawings and images of the Batant Construction Guide v1 are copyright
- They can be printed for personal use.

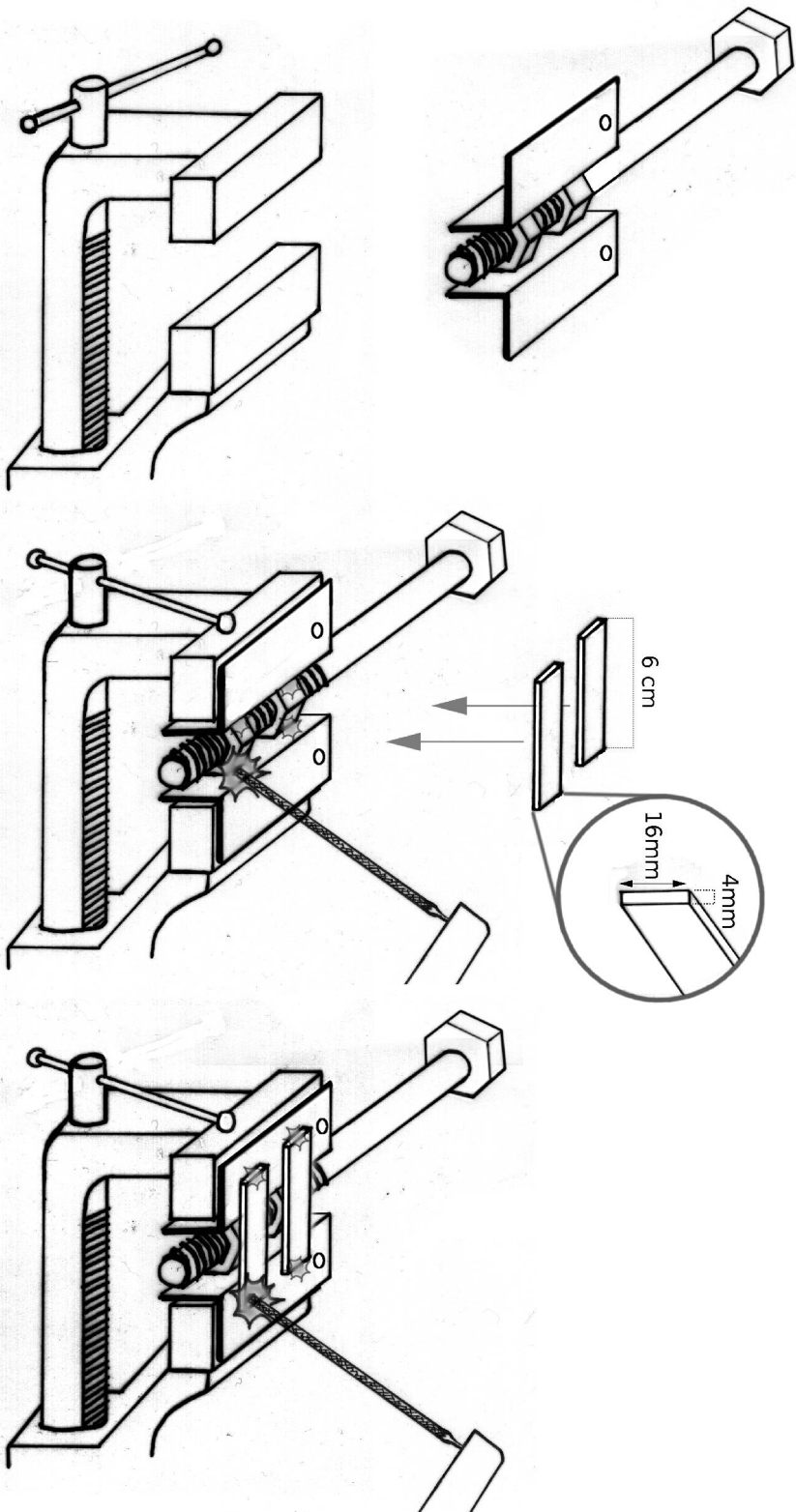
<http://www.solarfire.org/Construction-Guide>

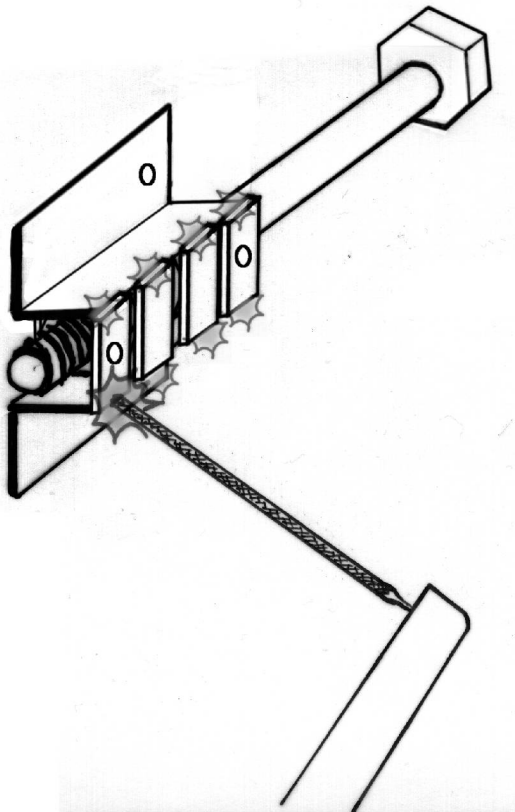
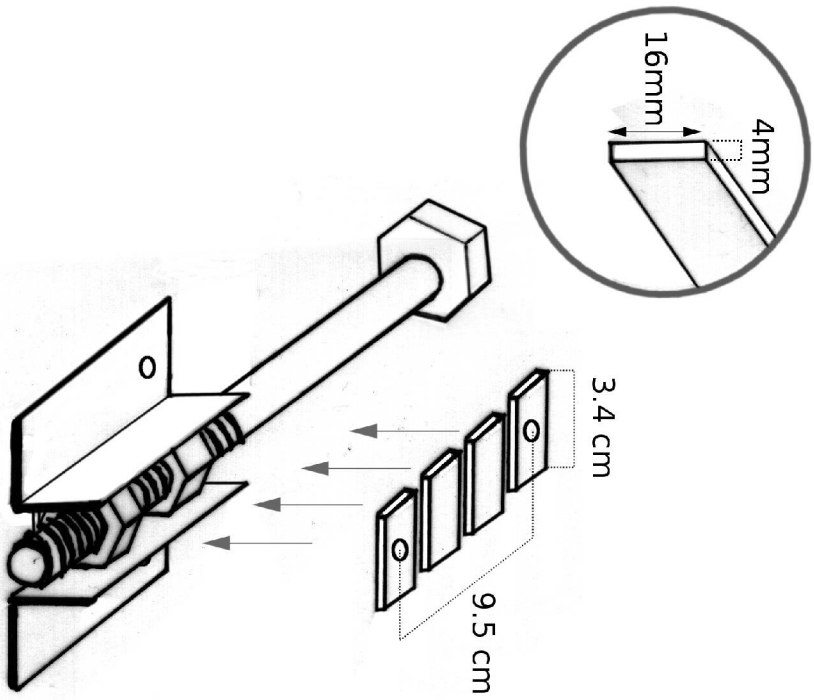
contact: info@solarfire.org

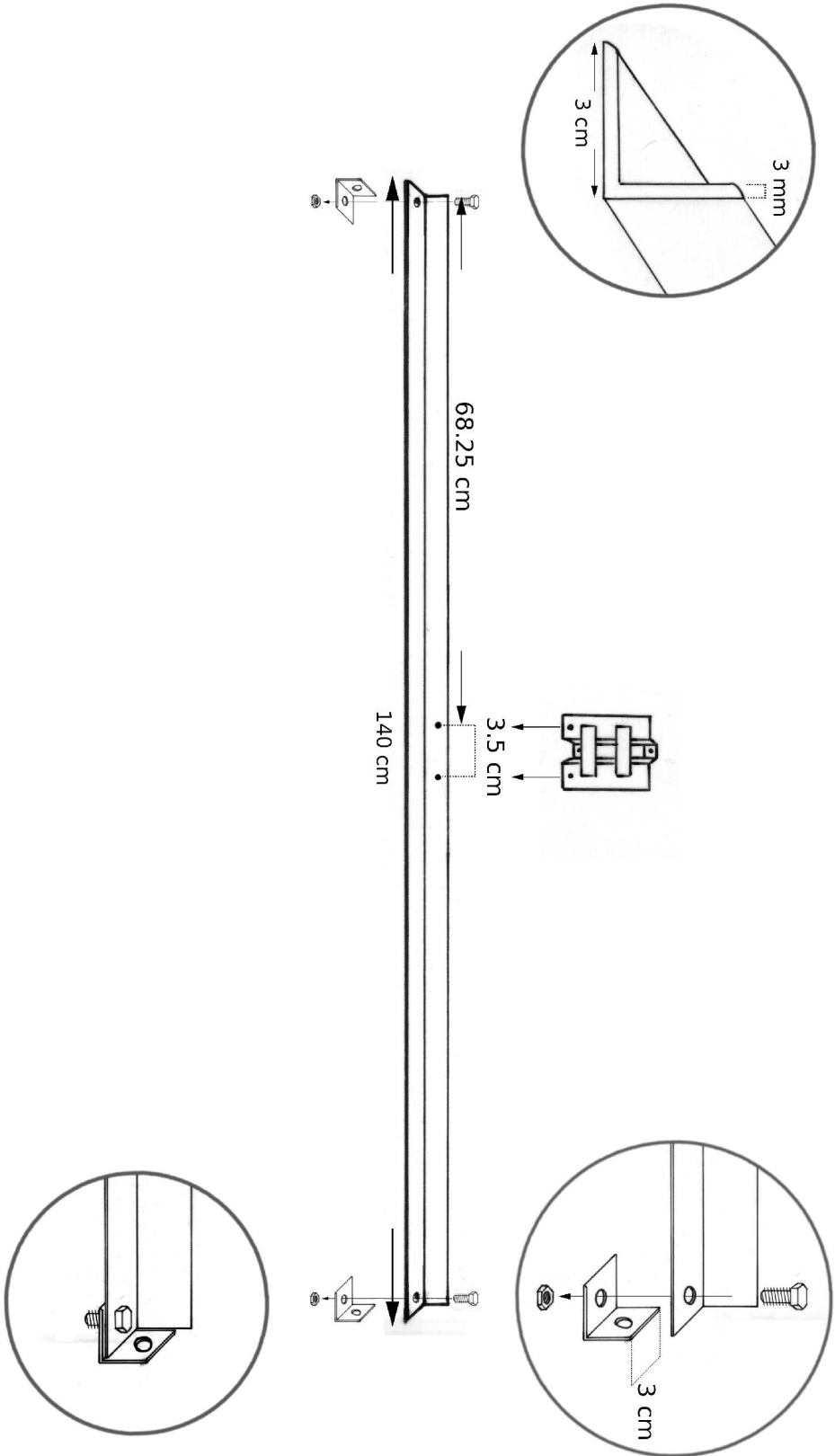


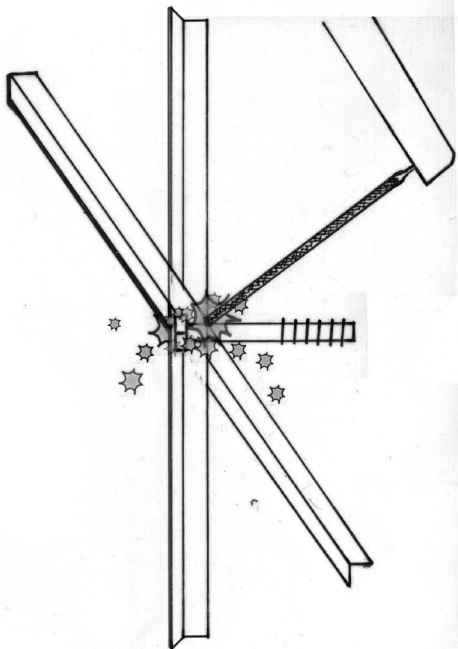
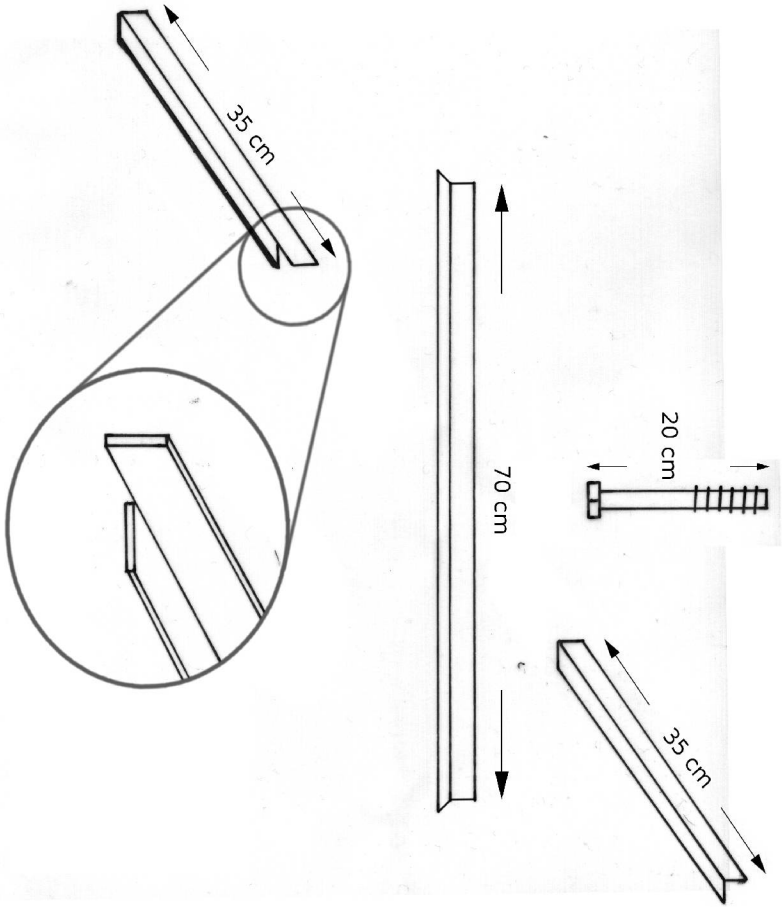


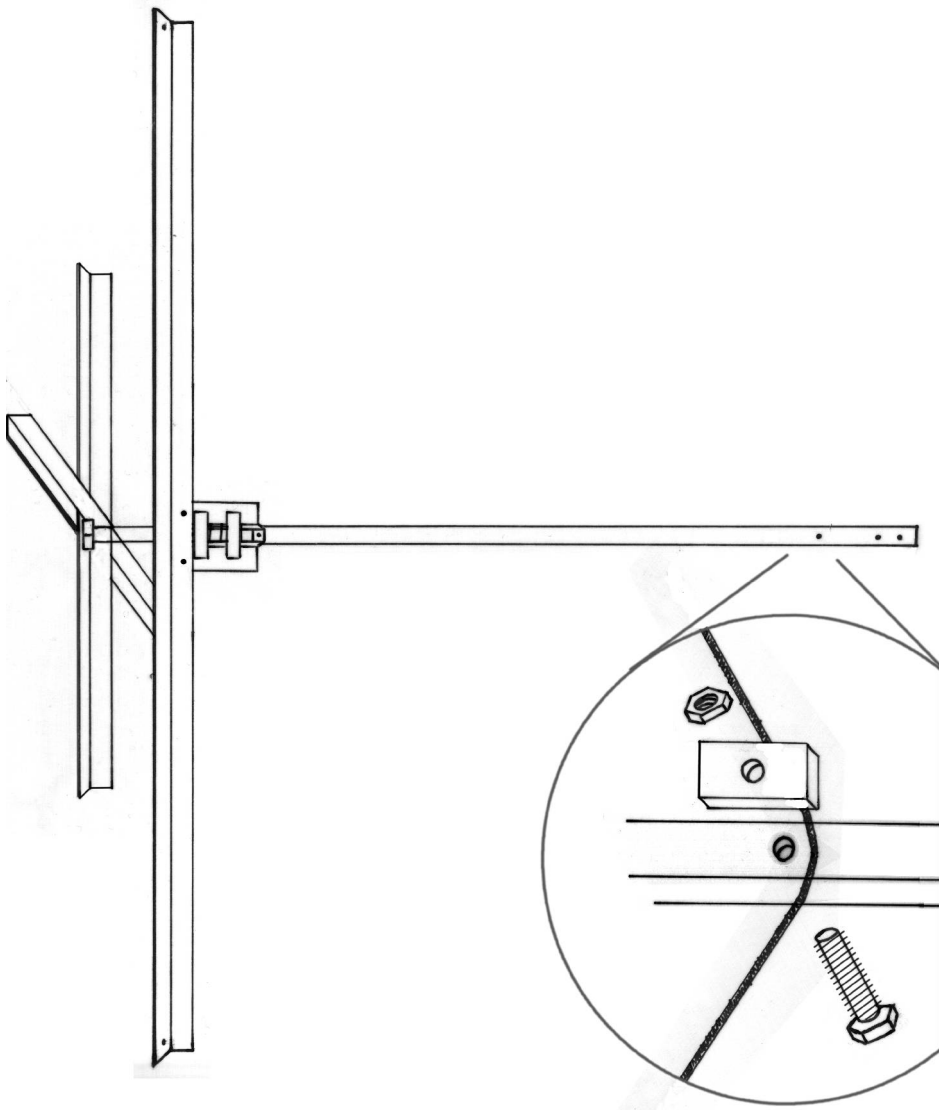
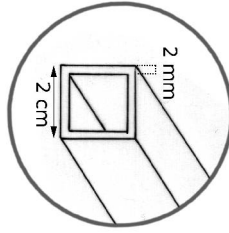
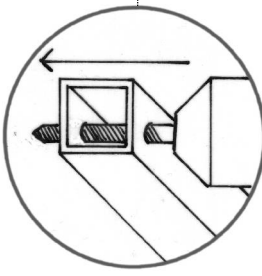
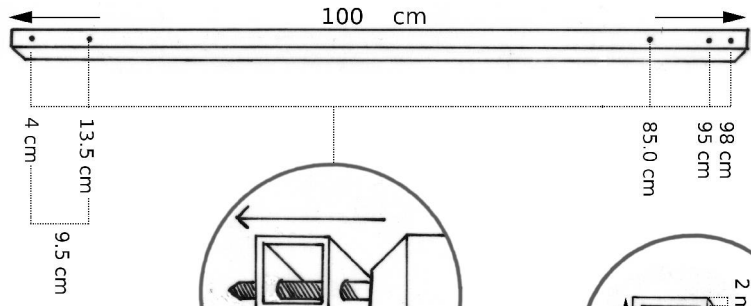


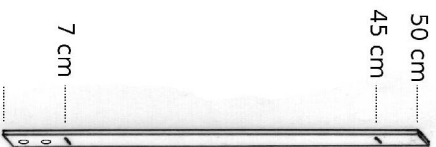
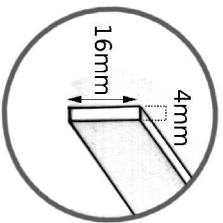




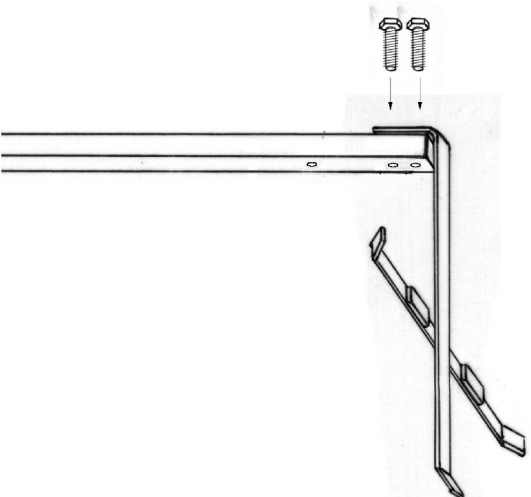
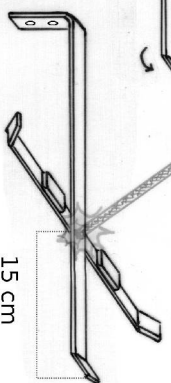
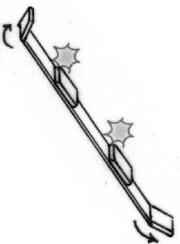
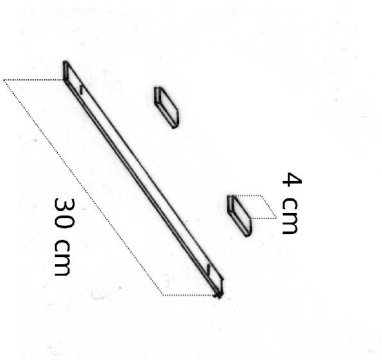
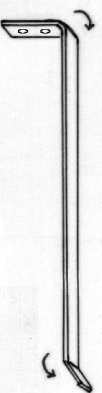


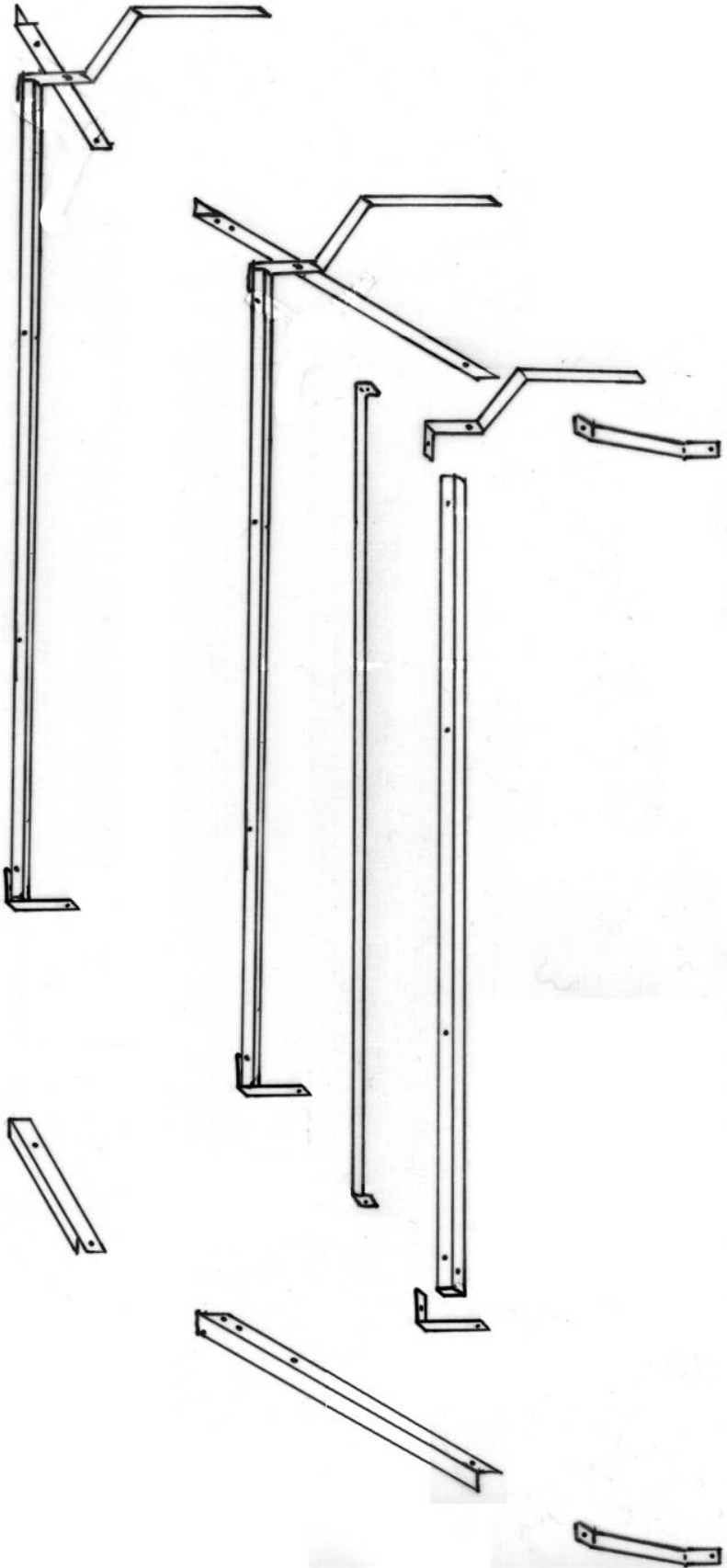


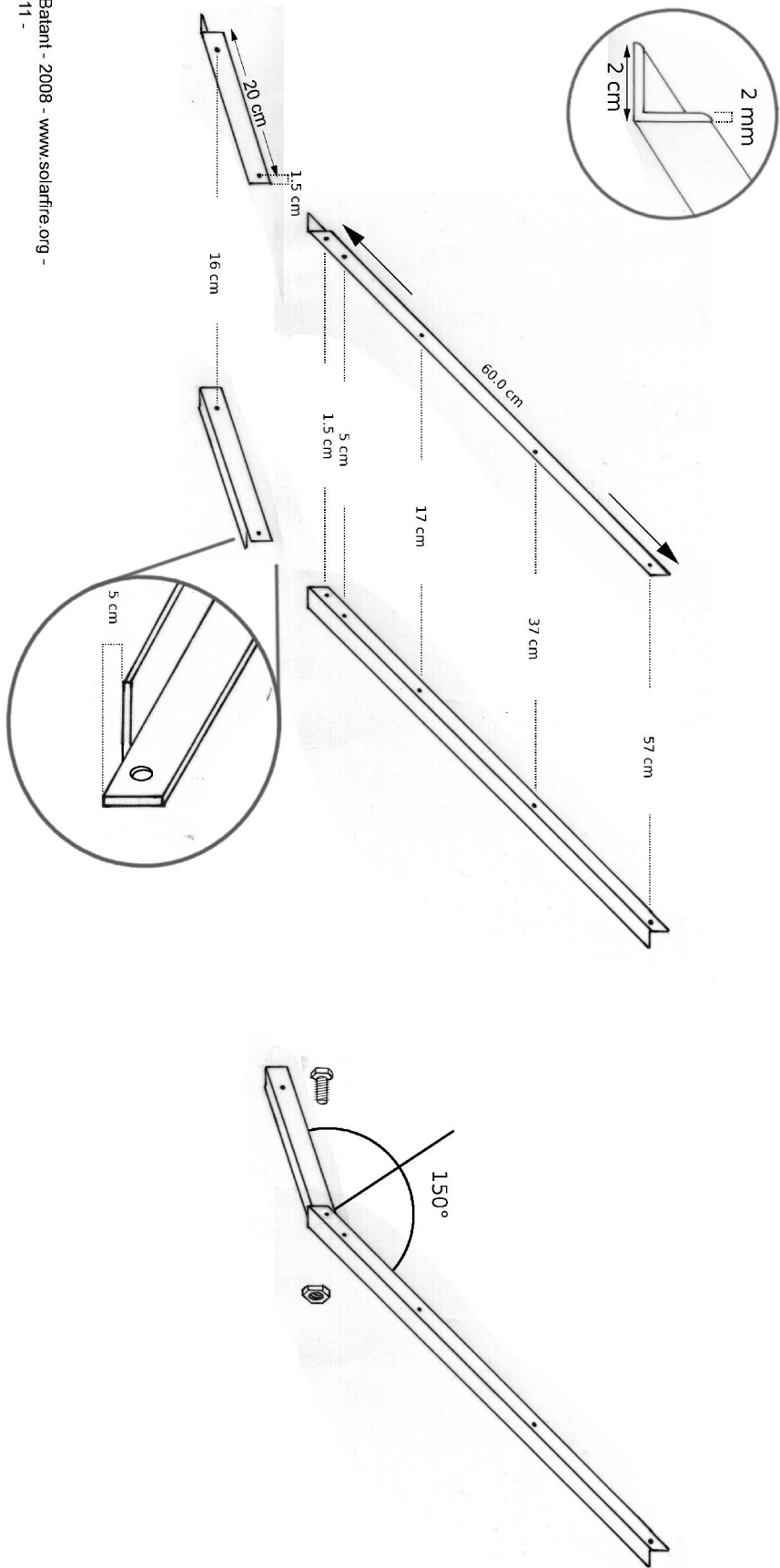


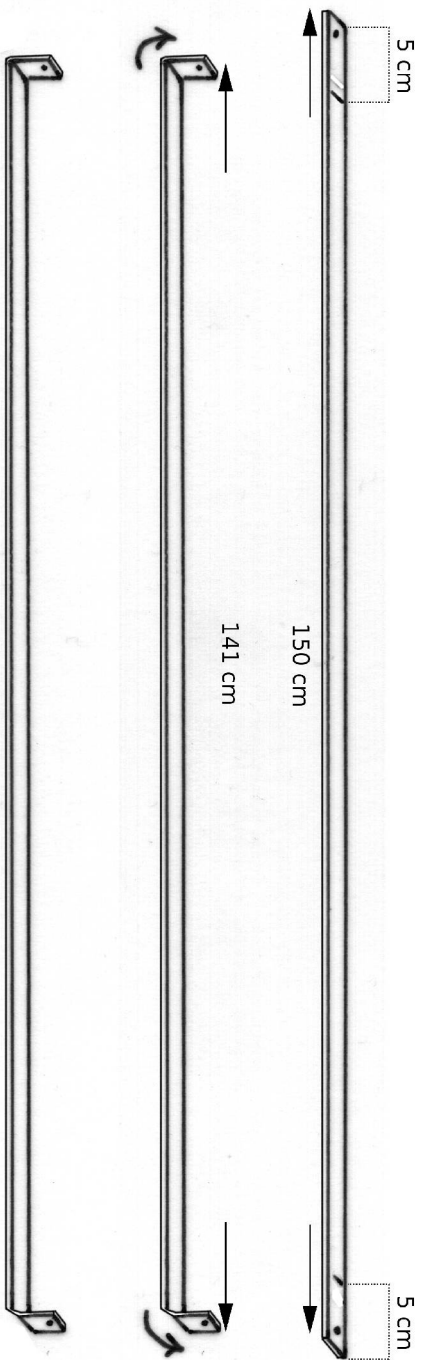
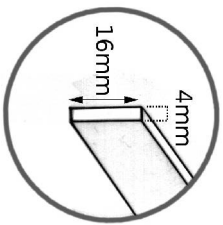


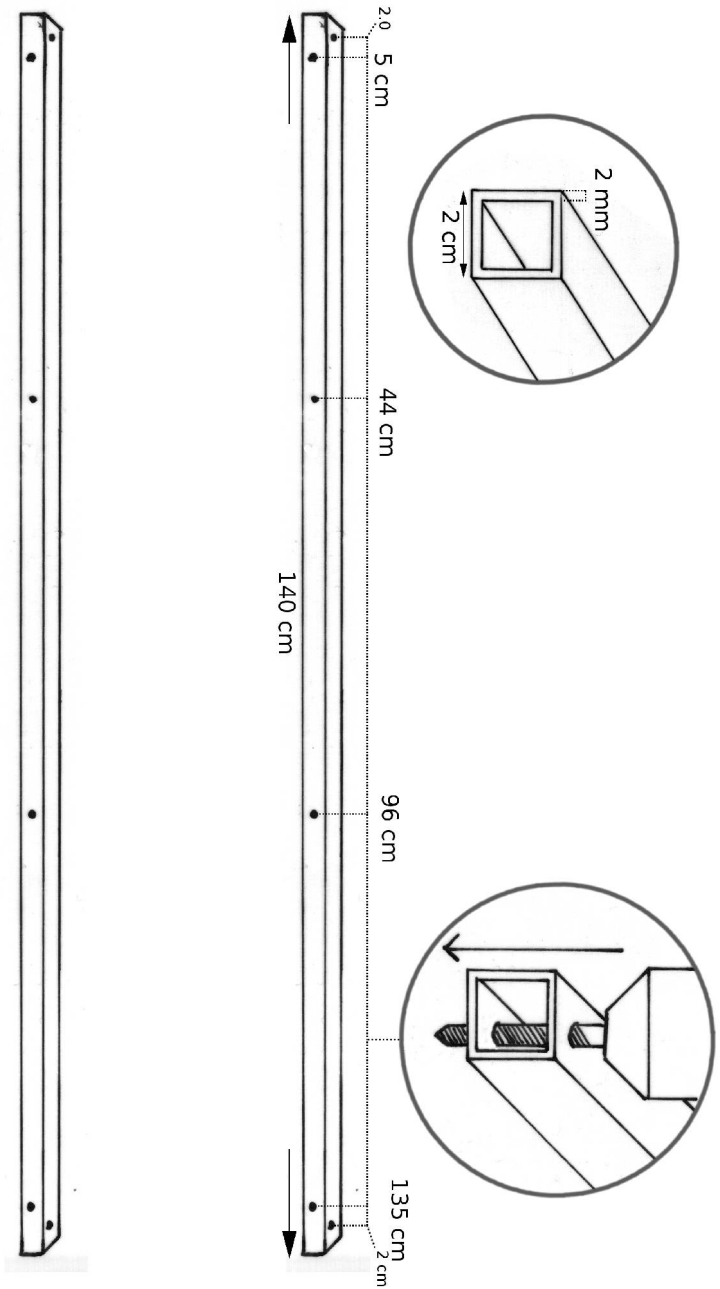
4.5 cm
1.5 cm

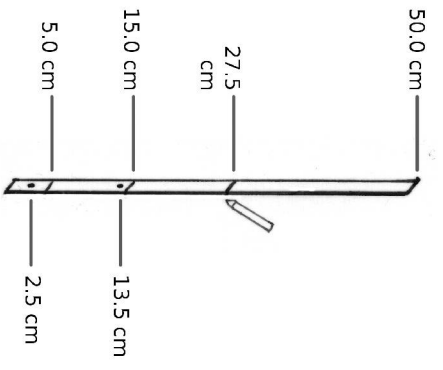




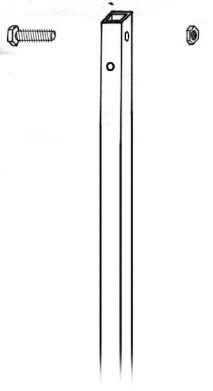
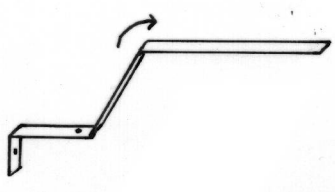
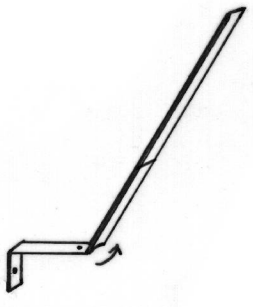
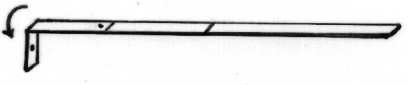


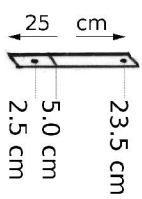
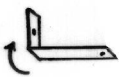
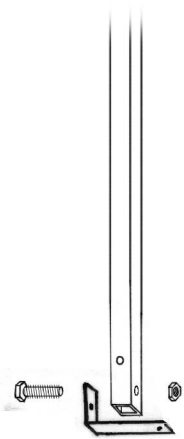




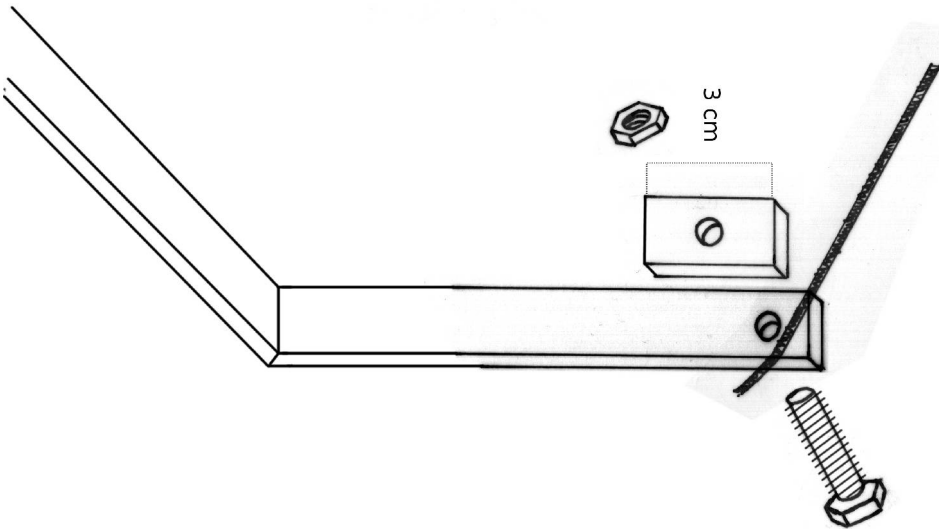
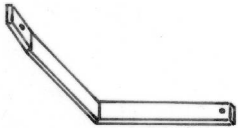
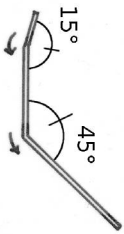
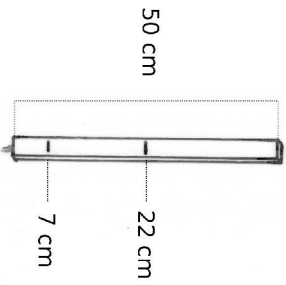
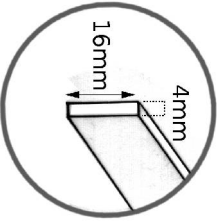


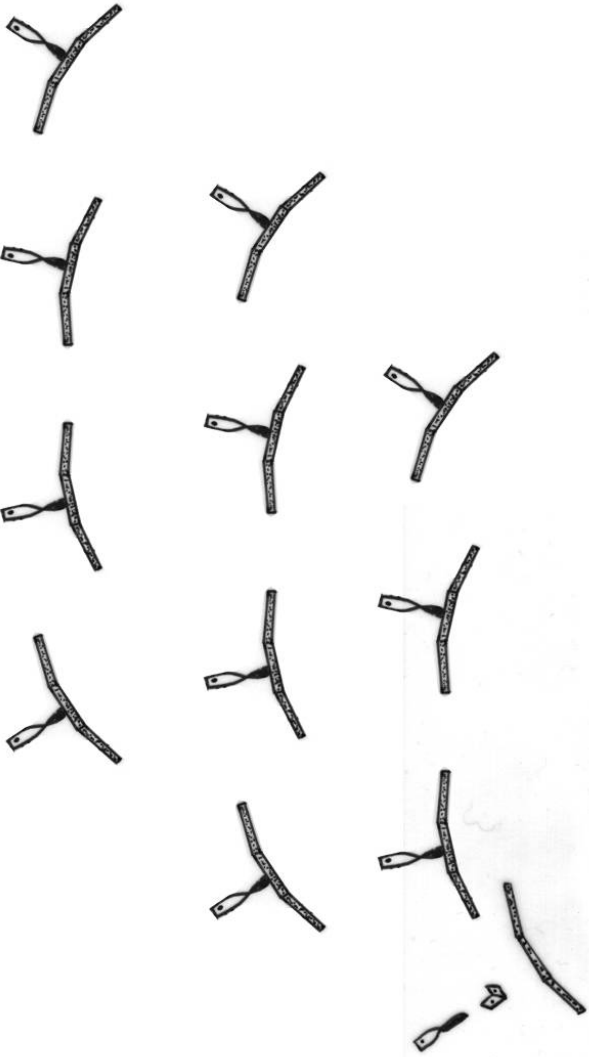
X 3

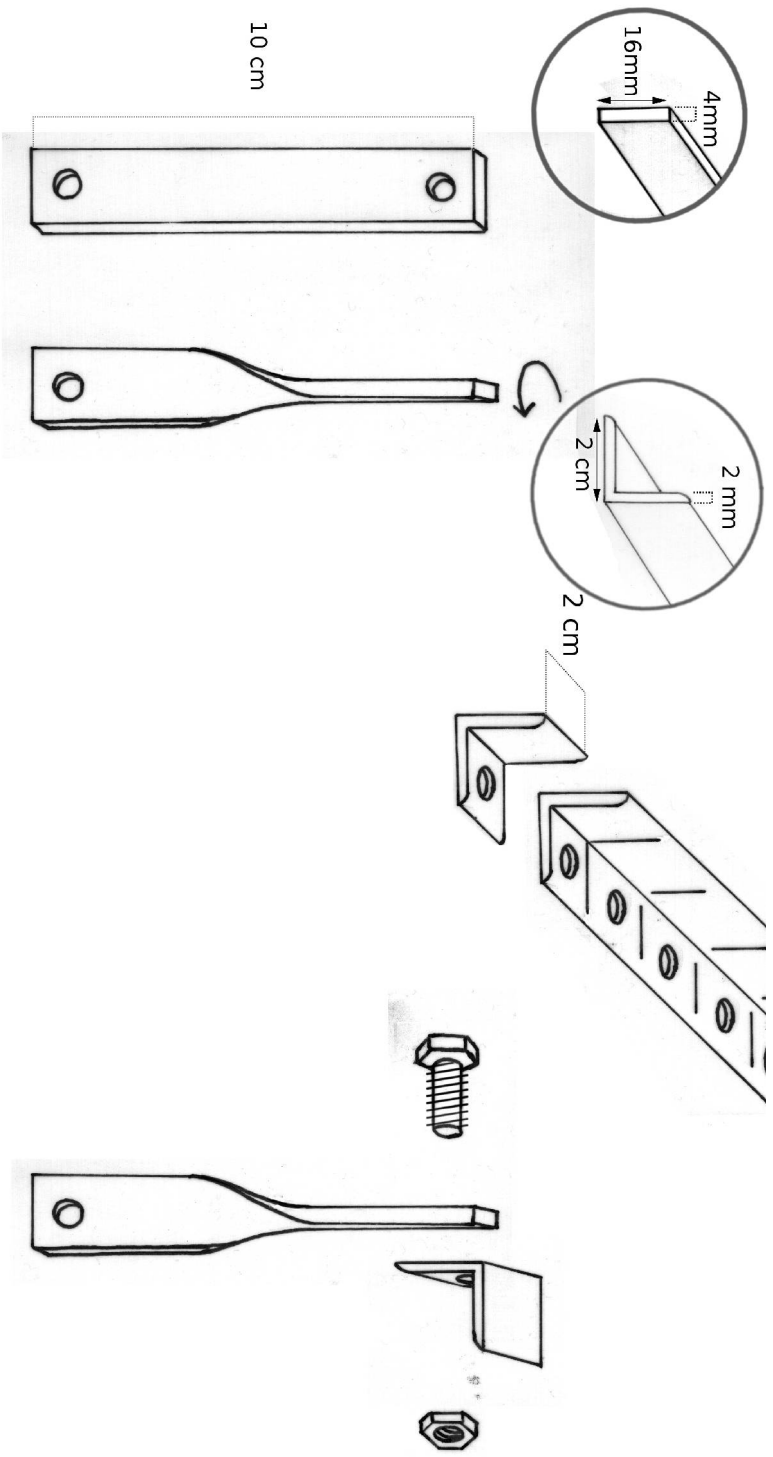




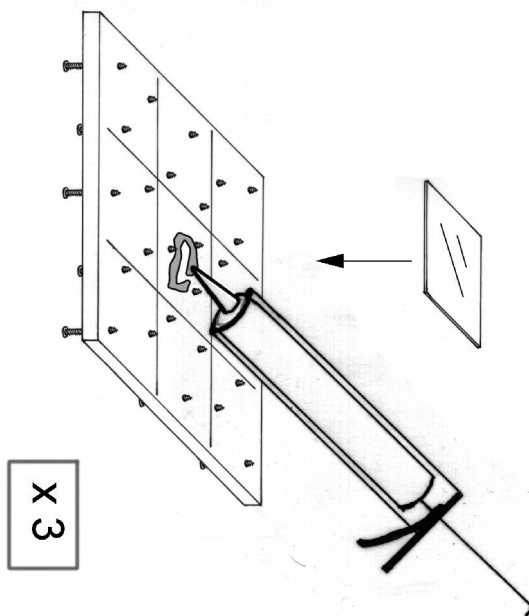
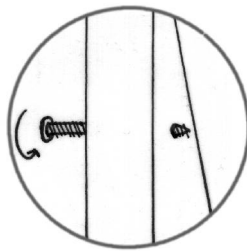
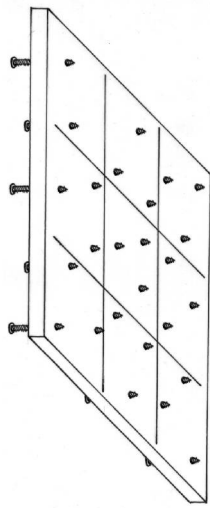
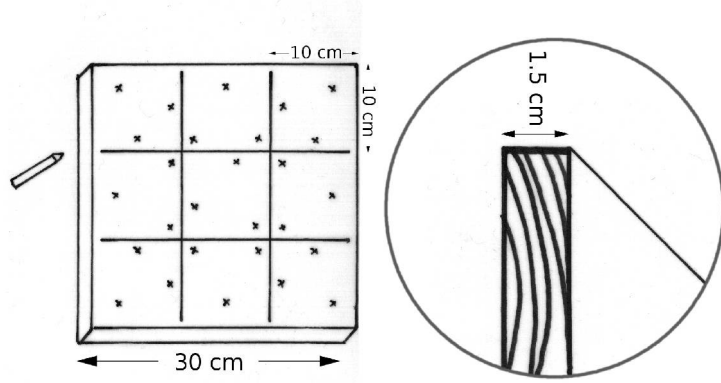
X 3

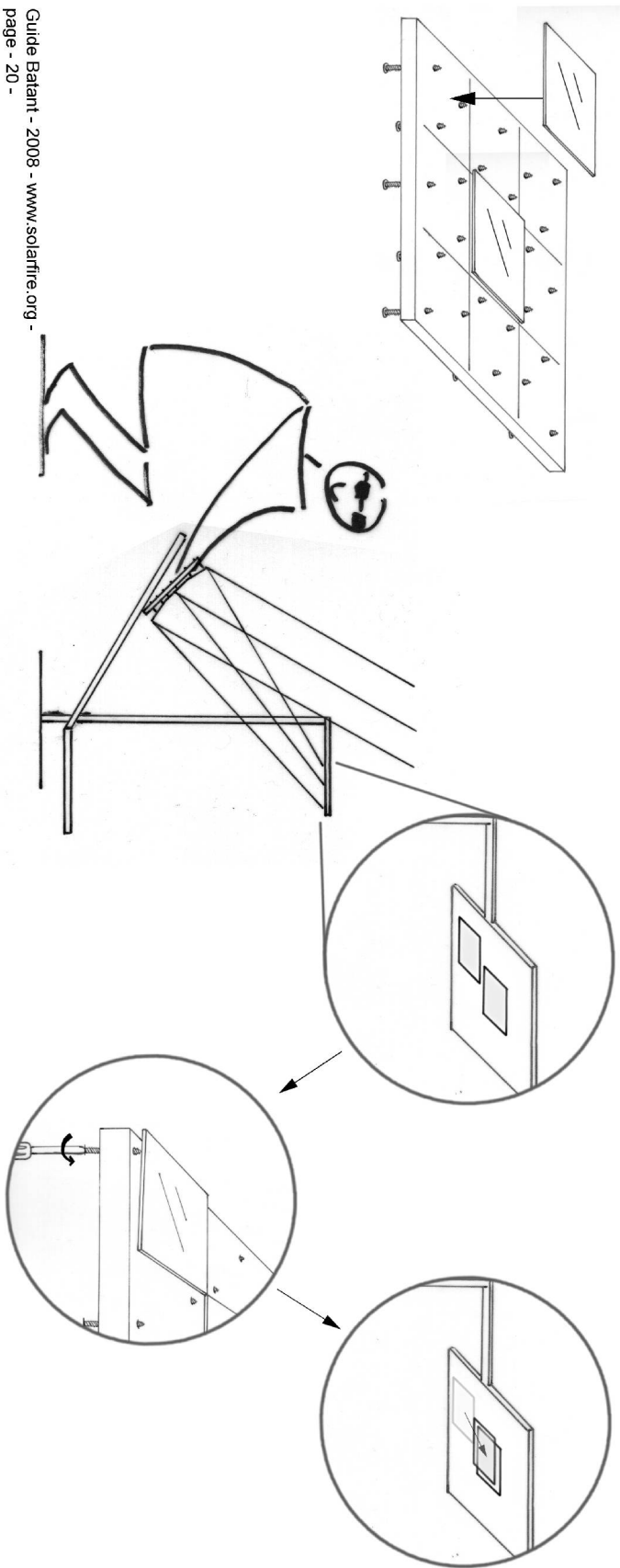


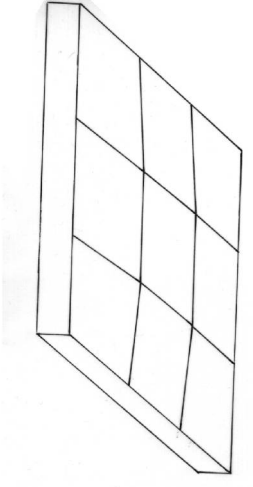
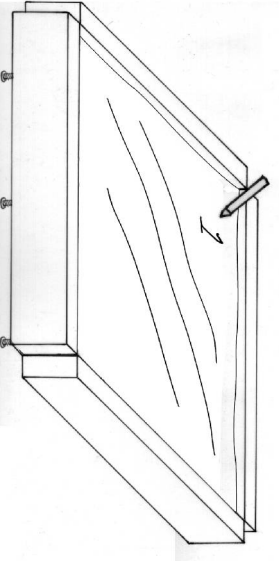
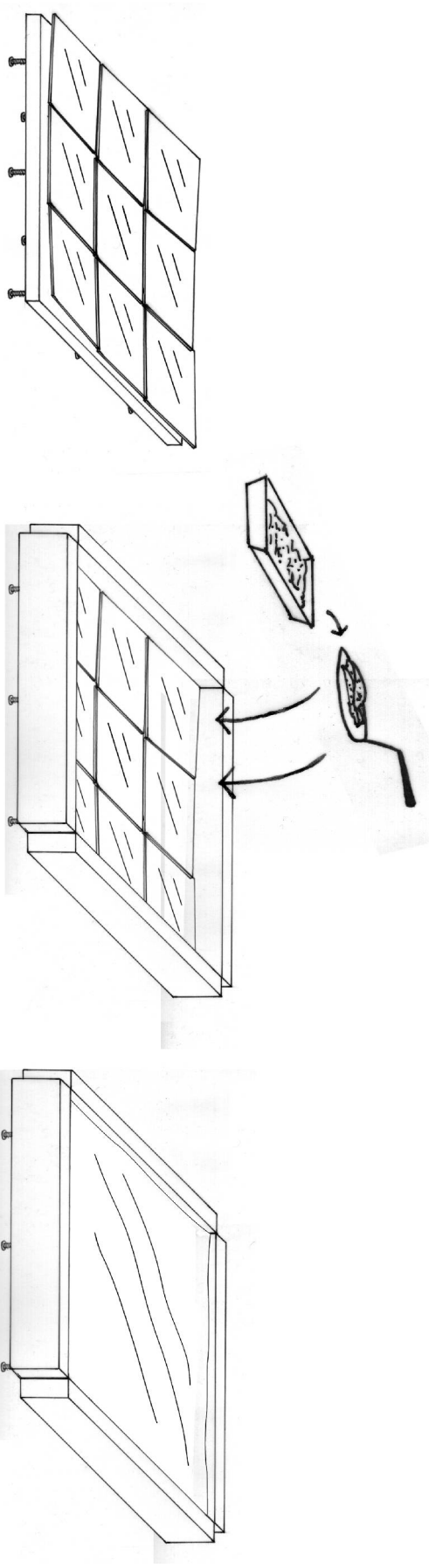




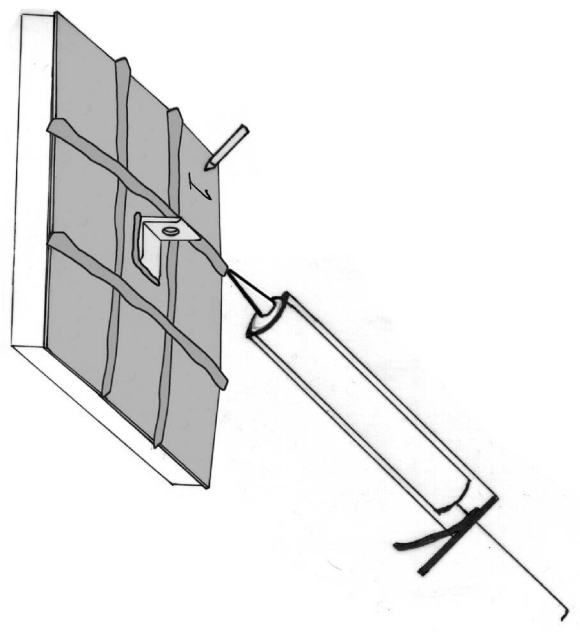
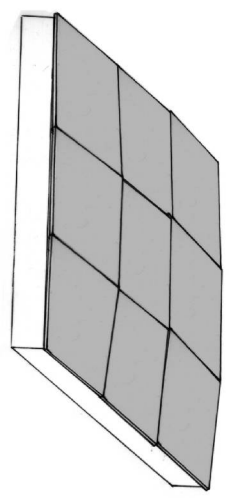
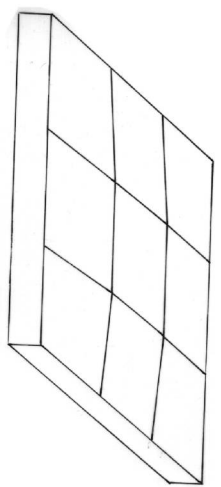
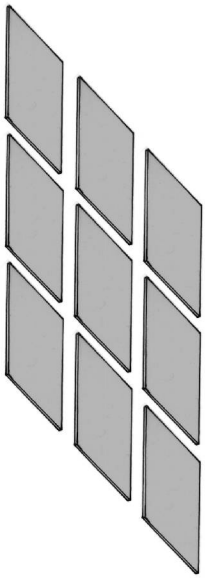
X 12







X 3



X 12